



WATER SOURCE HEAT PUMP

**Vertical Stacked Chassis- Replaces
Command/Aire 'WPV' Series, Trane 'WPR'**

NOMINAL CAPACITY:

10,000, 13,000, 19,000,
26,000, 33,000 BTU/h

ColdPoint Corp, Rome, New York 13440 • Phone (315) 339-2331 • Fax (315) 339-2358 • Web: www.adirondackaire.com



**MADE IN
USA** 

Description:

Adirondack-Aire 'WPV' Series is a direct replacement for *Command-Aire* 'WPV' and *Trane* 'WPR' series vertical stacked water source heat pump **chassis**. The chassis is a part of a complete system, which consists of the chassis, blower section, control box, and furred-in room cabinet with risers. The chassis contains the compressor, air heat exchanger, water heat exchanger, and refrigerant circuit control and safety components. The 'WPV' is **dimensionally identical** to the original for a fast, easy, and trouble free installation. Proven technology, quality components, careful design and testing, and the latest in reliability and efficiency advances assure long life, user satisfaction, and lower energy cost! Consider the extensive list of standard features which includes: **powder painted drain pan**, refrigerant circuit **access ports**, **pull handle**, **thermostatic expansion valve**, evaporator **freeze protection**, water coil **freezestat**, **high-pressure** over protection, and **lockout circuit**..... and *Adirondack-Aire* is the replacement solution the competition can't match. *Cold Point Corp.* backs the 'WPV' with a customer friendly **one-year parts and labor** warranty and **five-year compressor** warranty, (see *Warranty* document for details).

Application & Benefits:

The Adirondack-Aire 'WPV' series replacement chassis **fits the existing** Command-Aire and Trane **room cabinets** and works with the existing **blower section** and **control box** without modification. The chassis installs without the need for **water loop shut-down** or **draining**. Water, drain and electrical connections **line right up** to the original installation. The electrical connectors **plug directly** into the control box connectors. The standard high-pressure switch and evaporator coil freeze protection stops unit operation **before damage** occurs should airflow become reduced or obstructed due to dirty coils, obstructed airflow, or motor failures or lock-up. A freezestat protects the water coil from **freeze damage** due to water temperature or flow problems. The water coil is designed for low water-side pressure drop eliminating potential **pump sizing** and **water flow** problems. High efficiency compressors provide demonstrated **reliability** and **low sound** levels and cut **energy costs**...and because the chassis dimensions and construction details are like the original, replacement work is **fast and easy**. A chassis pull handle is provided to facilitate **easy removal** and **handling**. Using *Adirondack-Aire* replacements **eliminates** the need for **room renovation**, **redecorating**, and **pipng changes** and is *the solution* that gets your property back in service quickly and at the **lowest total cost**. Choose the optional replacement blower section to **improve airflow** and replacement return air panel to give the unit a **new look** and improve **room aesthetics**.

Options/Accessories:

- Blower sections
- Return air panels
- Control options
- 115V, 265V/277V (availability varies by model sizes)
- Flow control valve
- Hose kits

Standard Features

- 1). Made in USA
- 2). Designed for easy installation & compatibility. Dimensionally identical to original *Command-Aire* and *Trane chassis*
- 3). UL recognized components and construction
- 4). Quiet, durable, and efficient compressor with built-in pressure & temperature protection
- 5). Heavy Gauge G90 galvanized steel construction
- 6). Powder painted drain pan
- 7). High efficiency copper tube-aluminum fin evaporator coil
- 8). High efficiency coaxial condenser coil with low water-side pressure drop
- 9). Lock-out circuit with reset or circuit breaker
- 10). High Pressure switch
- 11). Frost free cooling
- 12). Water coil freeze protection
- 13). Refrigerant circuit access ports
- 15). Bi-flow thermostatic expansion valve
- 16). Positive shift reversing valve
- 17). Precision charged with R-22 refrigerant
- 18). ½" FPT connections
- 19). Chassis pull handle facilitates easy chassis removal & handling



WPV Dimensions and Specifications

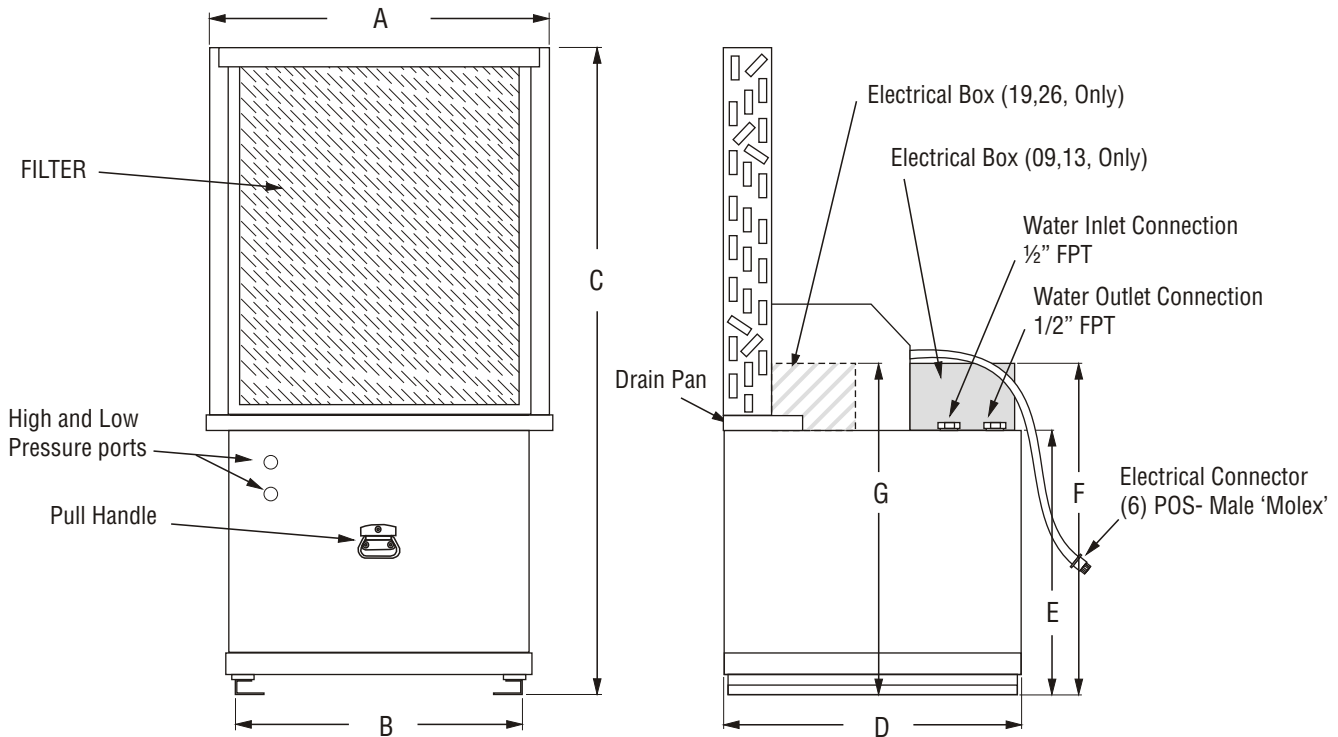
Note: Due to Cold Point Corporation's ongoing quality & product development programs, design and specifications may change. Always consult factory to verify the information provided here.

DIMENSIONAL DETAIL 'WPV'

***Note:** These chassis are designed to work with the existing blower. Blowers must produce rated airflow. Cleaning/ Repair/ Replacement of blowers is required prior to installation of new chassis.

IMPORTANT! Chassis must replace a unit of like capacity to assure proper **airflow** and **power supply**.

Model No.	WPV-10 WPV-13	WPV-19	WPV-26	WPV-33
"A"	13 1/2	17 1/2	17 3/4	21 7/16
"B"	12 1/2	15 1/4	15 1/4	19
"C"	32 5/8	33 5/8	34 1/2	38 3/8
"D"	14 1/2	16 5/8	16 5/8	16 5/8
"E"	14 3/8	15 3/8	15 3/8	16 3/32
"F"	17 7/8	—	—	19 5/8
"G"	—	17 7/8	17 7/8	—



WPV ELECTRICAL DATA

Model	COMP	Voltage/ HZ/Ph	Comp RLA	Comp LRA	MIN. Volts
WPV-10	Rotary	208/230/60/1	3.7	21.0	197
	Rotary	265/60/1	3.1	15.0	239
WPV-13	Rotary	208/230/60/1	5.0	24.0	197
	Rotary	265/60/1	4.2	20.0	239
WPV-19	Rotary	208/230/60/1	7.5	42.0	197
	Rotary	265/60/1	6.6	35.0	239
WPV-26	Recip	208/230/60/1	9.6	60.0	197
	Recip	265/60/1	8.2	58.0	239
WPV-33	CONSULT FACTORY				

WPV PERFORMANCE TABLE

Model	COOL BTUH	SENS BTUH	EER* EER*	HEAT BTUH	COP COP	CFM* (design)	GPM	COIL PD
WPV-10	10,200	7,800	13.6	12,800	4.5	350	2.5	4.5'
WPV-13	12,600	9,300	13.0	16,000	4.3	420	3.0	6.2'
WPV-19	20,000	15,000	13.4	25,000	4.6	630	5.0	5.4'
WPV-26	24,500	18,800	11.2	27,800	3.8	825	6.2	6.5'
WPV-33	CONSULT FACTORY							

* Includes ARI Fan Power Allowance (0.365 w/ CFM)

Model No.	Shipping Weight (lbs)
10	80
13	85
19	140
26	120
33	125