



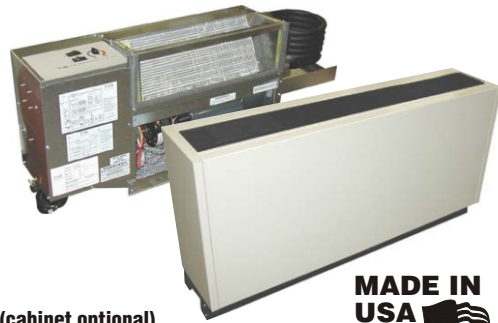
WATER SOURCE HEAT PUMP

**Console Water Source Heat Pump- Replaces
American Air Filter 'SSACW' Series**

NOMINAL CAPACITY:

10,000, 13,000, 15,000,
19,000 BTU/h

Cold Point Corp, Rome, New York 13440 • Phone (315) 339-2331 • Fax (315) 339-2358 • Web: www.adirondackaire.com



(cabinet optional)



Description:

Adirondack-Aire 'ACW' series is a direct replacement for American Air Filter 'SSACW' series console water source heat pump units. These console units are offered as chassis only to work with the existing or custom cabinets or with cabinet for a complete upgrade. The chassis contains the compressor, air heat exchanger, water heat exchanger, evaporator fan & motor, and control and safety components. The optional room cabinet is powder painted furniture grade steel construction with extruded aluminum grille and control door. The chassis is dimensionally identical to the original for a fast, easy, and trouble free installation. Proven technology, quality components, careful design and testing, and the latest in reliability and efficiency advances assure long life, user satisfaction, and lower energy cost! Consider the extensive list of standard features which

includes: powder painted drain pan, refrigerant circuit access ports, electrostatic air filter, evaporator freeze protection, water coil freezestat, high-pressure over protection, and lockout circuit..... and Adirondack-Aire is the replacement solution the competition can't match. Cold Point Corp. backs the 'ACW' with a customer friendly one-year parts and labor warranty and five-year compressor warranty, (see Warranty document for details).

Application & Benefits:

The *Adirondack-Aire 'ACW' series replacement chassis fits the existing American Air Filter room cabinets* without modification. Because the chassis construction is like the original water, drain and electrical connections **line right up** to the existing connections. The standard high-pressure switch and evaporator coil freeze protection stops unit operation **before damage occurs** should airflow become reduced or obstructed due to dirty coils, obstructed airflow, or motor failures or lock-up. A freezestat protects the water coil from **freeze damage** due to water temperature or flow problems. The water coil is designed for low water-side pressure drop eliminating potential **pump sizing** and **water flow** problems. High efficiency compressors provide demonstrated **reliability** and **low sound** levels and cut **energy costs**...and because the *'ACW'* dimensions and construction details are like the original, replacement work is **fast** and **easy**. Using *Adirondack-Aire* replacements **eliminates** the need for **room renovation, redecorating, or piping & wiring changes** and is **the solution** that gets your property back in service quickly and at the **lowest total cost**. Choose the optional room cabinet to give the unit a **new look** and improve **room aesthetics**.

Options/Accessories:

- Room Cabinet
- Fresh Air Damper Sub-base
- Control options
- 115V & 265/ 277V (availability varies by model size)
- Flow control valve
- Valves & unions
- Hose kits
- Line Cords

Standard Features

- 1). Made in USA
- 2). Designed for easy installation & compatibility. Dimensionally identical to original *AAF chassis*
- 3). UL listed components and construction
- 4). Quiet, durable, and efficient compressor with built-in pressure & temperature protection
- 5). Heavy Gauge G90 galvanized steel construction
- 6). Powder painted drain pan
- 7). High efficiency copper tube-aluminum fin evaporator coil
- 8). High efficiency coaxial condenser coil with low water-side pressure drop
- 9). Unit mounted MCO controls
- 10). Lock-out circuit with reset at thermostat or circuit breaker
- 11). High Pressure switch
- 12). Frost free cooling
- 13). Water coil freeze protection
- 14). Refrigerant circuit access ports
- 15). Capillary expansion
- 16). Positive shift reversing valve
- 17). Precision charged with R-22 refrigerant
- 18). 1/2" water connections
- 19). Electrostatic air filter

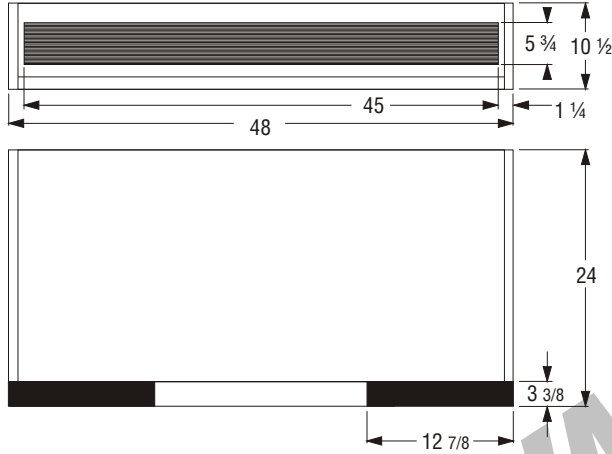


ACW Dimensions and Specifications

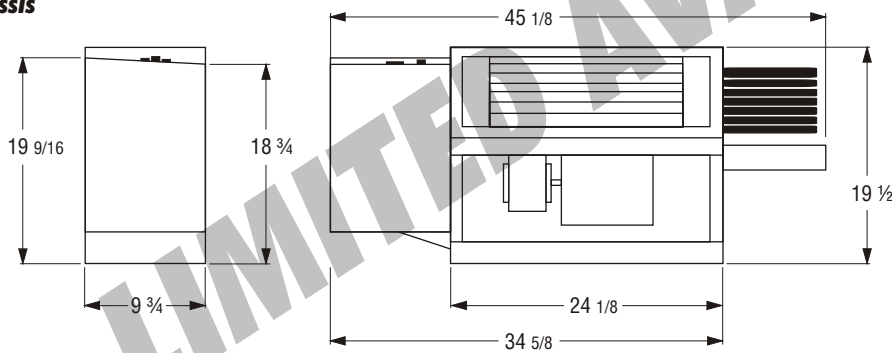
Note: Due to Cold Point Corporation's ongoing quality & product development programs, design and specifications may change. Always consult factory to verify the information provided here.

DIMENSIONAL DETAIL 'ACW'

**Room Cabinet (optional)
w/sub- base (Size 10 only)
(Consult factory
for 13,15,19
dimensions)**



Chassis



NEMA Configurations Non Locking Plugs/Receptacles

Voltage	125V	250V	277V*
15A Recp.	5-15R 	6-15R 	7-15R
15A Plug	5-15P 	6-15P 	7-15P
20A Recp.	5-20R 	6-20R 	7-20R
20A Plug	5-20P 	6-20P 	7-20P
30A Recp.	5-30R 	6-30R 	7-30R
30A Plug	5-30P 	6-30P 	7-30P

*277V Line Cord N/A as Factory Installed

ACW- Series Performance Ratings*

Model No.	Cooling		Cooling		Water Coil GPM/PD- (ft)	CFM		Comp Type
	BTU/h	EER	BTU/h	COP		HI	LO	
ACW- 10	10,700	13.4	11,600	4.1	2.5/ 2.8	340	290	Rotary
ACW- 13	13,400	13.3	15,300	3.9	3.1/ 5.4	390	340	Rotary
ACW- 15	14,800	14.6	17,000	4.4	3.6/ 6.8	500	420	Rotary
ACW- 19	17,800	14.0	20,300	4.1	4.2/ 8.9	500	420	Rotary

* Rated in Accordance with ARI

ACW- Series Electrical Ratings

Model No.	Voltage/HZ/Ph*	Fan Amps	Fan HP	Compressor		Total Amps.	Max. Fuse Size	Min. Volts
				RLA	LRA			
ACW- 10	208-230/60/1	0.35	1/10	3.85	20.0	4.2	15	197
ACW- 13	208-230/60/1	0.35	1/10	5.06	28.0	5.41	15	197
ACW- 15	208-230/60/1	0.35	1/10	5.06	28.0	5.41	15	197
ACW- 19	208-230/60/1	0.35	1/10	6.35	35.0	6.7	15	197

*115V available models 10 & 13
265V available all models

Model No.	Chassis Weight (lbs)
10	150
13	150
15	175
19	175

12-07