

COLD POINT

PACKAGE HEAT PUMP CHASSIS

SERIES

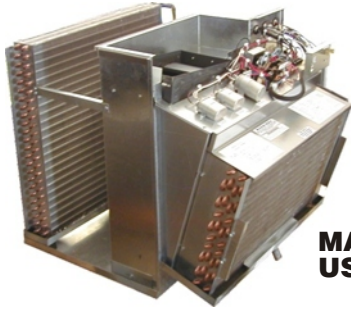
PWC

NOMINAL CAPACITY:

Replacement Chassis for Magic Chef 'PWC' Series Packaged Heat Pump

18,000, 24,000 BTU/h

ColdPoint Corp, Rome, New York 13440 • Phone (315) 339-2331 • Fax (315) 339-2358 • Web: www.adirondackaire.com



MADE IN USA 

Description:

Cold Point 'PWC' Series is a direct replacement for *Magic-Chef 'PWC' series heat pump chassis*. The chassis is a part of a complete system, which consists of the chassis and a wall sleeve/cabinet with built-in heat section and condenser fan. The chassis contains the compressor, indoor and outdoor heat exchangers, evaporator motor & fan, and refrigeration circuit controls. The sleeve/cabinet is installed through the outside wall of the building. The chassis slides into the sleeve/cabinet for easy removal. The new chassis is **dimensionally identical** to the original for a fast, easy, and trouble free installation. Proven technology, quality components, careful design and testing, and the latest in reliability and efficiency advances assure long life, user satisfaction, and lower energy cost! These full-range **heat pump units with reverse cycle defrost** include

thermostatic expansion valve, oversized **suction accumulator**, **electronic defrost** control, compressor **crankcase heater**, high efficiency **'PSC' blower motor** & dynamically **balanced DWDI blower wheel**, and condenser drain pan **freeze deterrence**. Consider the extensive list of standard features which includes: **Rust-Block*** corrosion protection system, **condenser fan cycle switch** for low ambient evaporator **freeze protection**, and **high-pressure over protection.....** and *Cold Point* is the replacement solution the competition can't match. *Cold Point Corp.* backs the *'PWC'* with a customer friendly **one-year parts and labor warranty** and **five-year compressor warranty**, (see *Warranty* document for details).

Application & Benefits:

The *Cold Point 'PWC'* series replacement chassis **fits the existing Magic-Chef wall sleeve/cabinet** and works with the existing **heat section, condenser fan and control box** without modification. Electrical connectors plug right in to **existing control box connectors**. Full-range heat pump operation **minimizes** the need for **back-up electric heat**. The standard high-pressure switch stops unit operation **before damage occurs** should airflow become reduced or obstructed due to dirty coils, obstructed airflow, or motor failures or lock-up.....a premium feature usually found only in expensive commercial systems. Electronic control assures **precise defrost cycles** to maximize **efficiency** and enhance **reliability**. The *Rust-Block* system assures a **stain-free** building exterior. High efficiency compressors provide demonstrated **reliability** and **low sound** levels and **cut energy costs**...and because the chassis dimensions and construction details are like the original, replacement work is **fast and easy**. Using *Cold Point* replacements eliminates the need for **room and exterior wall renovation** and is *the solution* that gets your property back in service quickly and at the **lowest total cost**. Choose the optional **wall sleeve/cabinet** for a **complete renovation** or **new construction** installation

Options/Accessories:

- Replacement Condenser Fan
- Replacement Condenser Motor
- Replacement Electric Heater Module (consult factory)
- Replacement Wall Sleeve/ Cabinet w/condenser fan (consult factory)

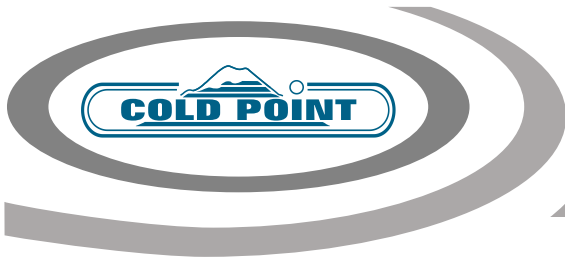
* **Rust-Block corrosion protection system consists of:**
 •Heavy gauge **galvanized steel** construction

•**Stainless steel** compressor
 •**Powder painted** drain pans

•**Magnaguard** and/or **stainless steel** screws and fasteners

Standard Features

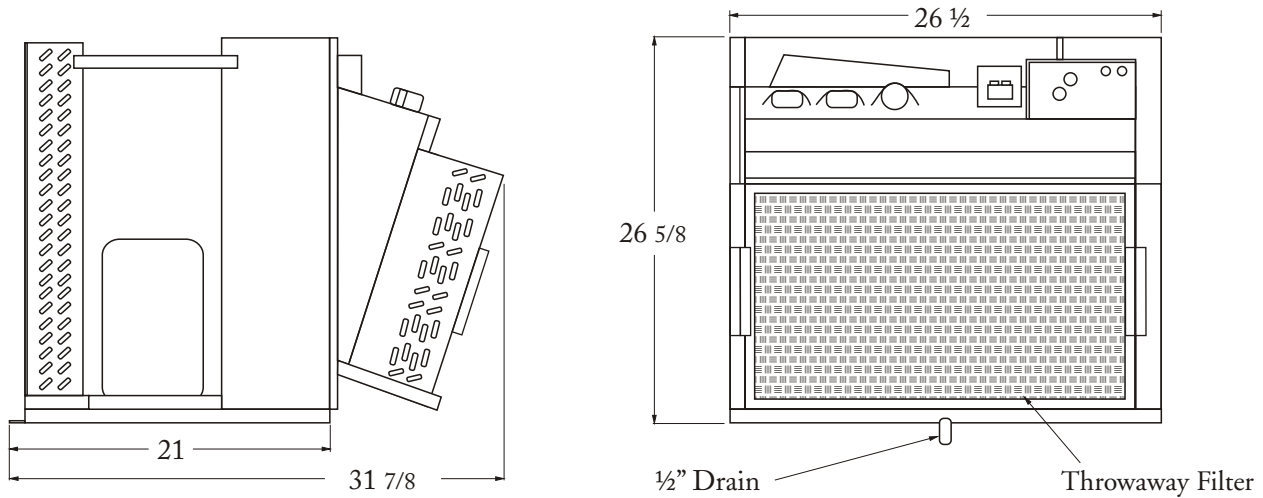
- 1). Made in USA
- 2). Designed for easy installation & compatibility. Dimensionally identical to original *Magic-Chef chassis*.
- 3). Full range heat pump operation with reverse cycle defrost
- 4). Exclusive **Rust-Block corrosion protection**
- 5). High efficiency PSC type fan motor w/built-in temperature protection
- 6). UL listed components and construction
- 7). Quiet, durable, and efficient compressor with built-in pressure & temperature protection
- 8). Heavy Gauge G90 galvanized steel construction
- 9). Powder painted drain pans
- 10). High efficiency copper tube-aluminum fin evaporator and condenser coils
- 11). DWDI centrifugal evaporator blower
- 12). Electronic defrost control
- 13). Oversized suction accumulator
- 14). Compressor crankcase heater
- 15). Condenser fan cycle switch (pressure actuated)
- 16). High pressure switch with lock-out circuit
- 17). Refrigerant circuit access ports
- 18). Thermostatic expansion valve
- 19). Positive shift reversing valve
- 20). Precision charged with R-22 refrigerant



PWC Dimensions and Specifications

Note: Due to Cold Point Corporation's ongoing quality & product development programs, design and specifications may change. Always consult factory to verify the information provided here.

DIMENSIONAL DETAIL 'PWC'



PWC- Packaged Heat Pump Performance Ratings*

Model No.	Cooling			Heating		HSPF	Comp. Type
	BTU/h	Sens BTU/h	SEER	BTU/h	COP		
PWC-18	19,300	14,700	10.0	18,100	3.1	6.8	Recip.
PWC-24	23,000	16,300	9.1	21,000	3.0	6.65	Recip.

*Rated in Accordance with ARI

PWC- Packaged Heat Pump Electrical Specifications

Model No.	Voltage* HZ/PH.	Comp. RLA	Comp. LRA	Evap Fan HP	Evap Fan AMPS	Total AMPS**	Min. CKT Ampacity**	Max. Fuse Size**	Min. Volts
18	208/230/60/1	7.4	48	1/3	2.2	9.6	12	15	197
24	208/230/60/1	9.6	60	1/3	2.2	11.8	15	20	197

*265/277V. Available. Consult Factory

** Does Not Include Cond. Motor or Heater Amps.

Model No.	Chassis Weight (lbs)
18	185
24	185

12-07